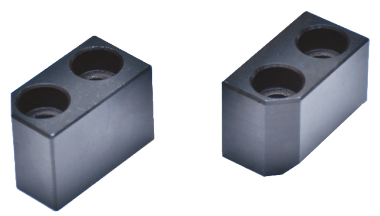


NEW

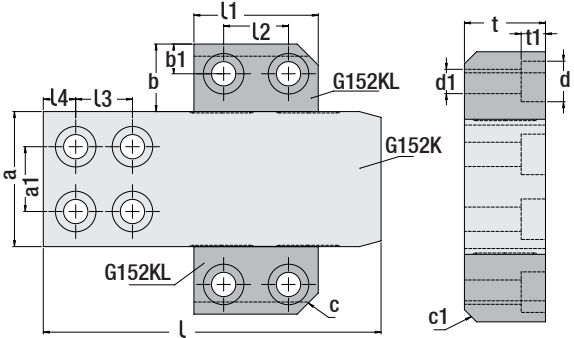


Bar Lock Slide Block Code: **G152K**

Bar Lock System Code: **G152**

Bar Lock Guide Jaw Code: **G152KL**

It provides making selections among ready-made products for wide moulds with movable plates more than one for mould designers. During production, insert locks and only wipe outer surfaces. **Please do not touch thin layer of lubrication in joints.**



All parts, including part holder rings, are applied a thin layer of oil (fit for food industry) before all areas dry and get hardened. **G152KL** product can be used in group applications for each mould as 2 pieces and multi bar lock guide jaws can be used in different designs. There are 2 pcs jaws in 1 set.

Order: **G152K. a x l**

Order: **G152KL. l1 x b**

Material: 1.7131
Hardness: 58 - 60 HRC

Order: **G152. t x l**

Material: 1.2842
Hardness: 58 - 60 HRC

Bar Lock System Contents (G152): G152K= 1 pcs. + G152KL= 1 set (2 pcs).

a g5	l -0.1 / -0.2	l3	l4	a1	t -0.1	l1	b g5	l2	b1	d1 Ø	d Ø	t1 mm	c	c1
32	70	18	9	14	22	36	20	16	10	6.6 M6	11	6.8	6	6
	90													
	112													
50	90	21	12	24	30	46	25	24	11	9 M8	15	9	8	5
	125													
	150													
60	112	26	15	30	32	56	32	30	16	11 M10	18	11	10	10
	150													
	175													
80	112	26	15	44	35	56	35	30	16	11 M10	18	11	10	10
	150													
	175													
100	175	32	18	55	50	76	40	40	17	13.5 M12	20	13	10	10
	200													
	250													
120	200	35	20	75	65	86	45	50	20	13.5 M12	20	13	12	12
	250													
	300													

